

CARB KITS

**All Strikemaster 2 HP Tecumseh engines
are TC200 , TC300 or TM049XA**

To determine carb kit needed follow instructions below:

1) Check SER # above spark plug

2) TC200 or TC300

3) Name on Carb Housing

*** Walbro carbs use part # K20-WTA**

*** Tillotson or Tecumseh carb use part # RK-18-HU**

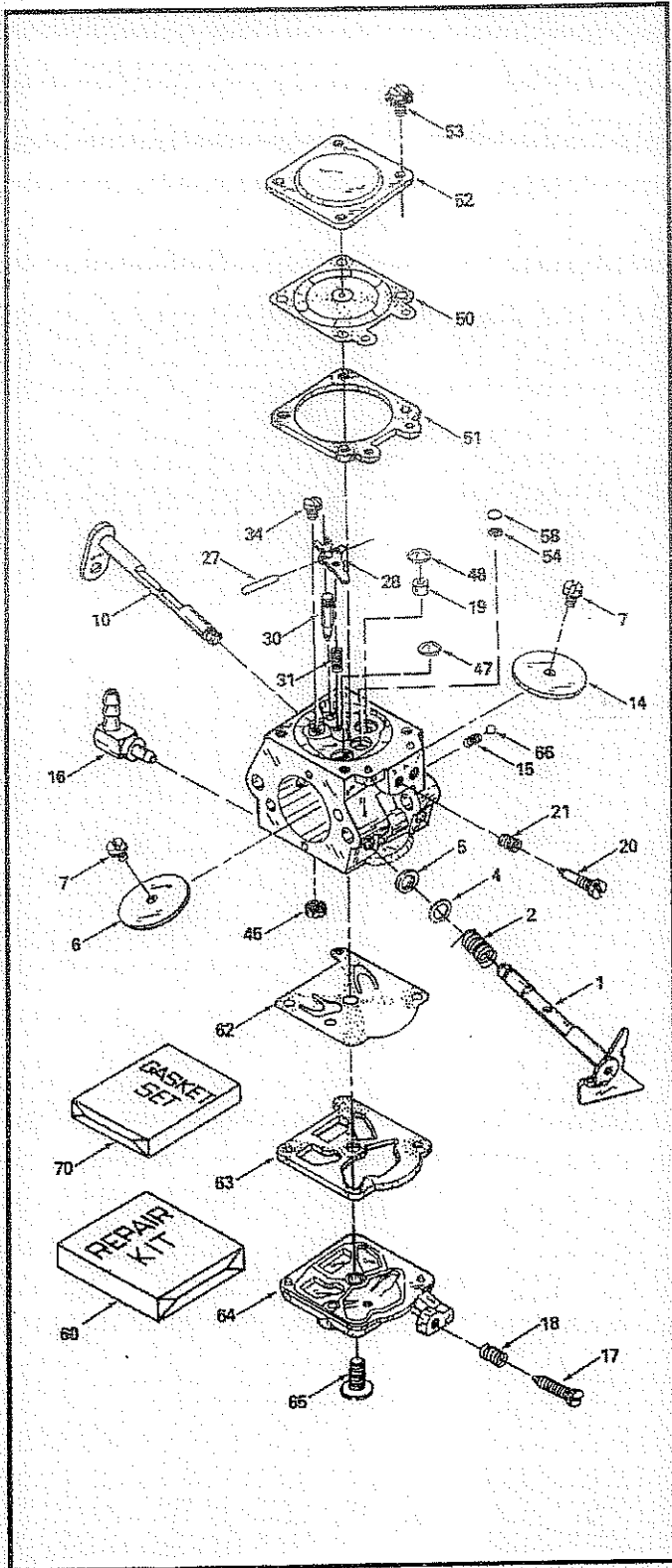
4) All TM049XA use part # RK-18-HU

Kit#
WALBRO - K20-WTA



FILE IN:
 DIVISION 5
 SECTION A
 Issued: February 1991
 Revised: October 1995

TECUMSEH PRODUCTS COMPANY
 ENGINE AND TRANSMISSION GROUP
 SERVICE DIVISION
 GRAFTON, WISCONSIN 53024



TECUMSEH CARBURETORS

SERVICE NO.	MFG. NO.
632286B	WTA-3B
632321B	WTA-4B
632414	WTA-9
632474	WTA-12
632508	WTA-12A
632533	WTA-14

Walbro

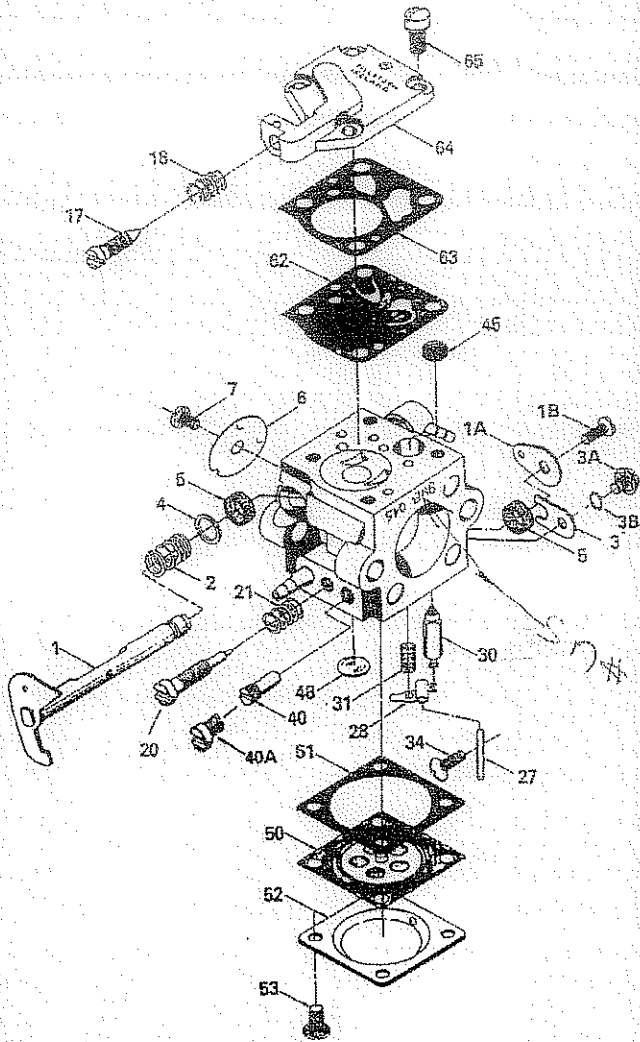
TILLOTSON CARB —

Kit #
RK-18-HU

FILE IN
DIVISION 5
SECTION A
Issued: March 1992
Revised: November 1999

TECUMSEH PRODUCTS COMPANY
ENGINE AND TRANSMISSION GROUP
SERVICE DIVISION
GRAFTON, WISCONSIN 53024

Tillotson



TECUMSEH CARBURETORS

SERVICE NO.	MFG. NO.
632900	HU-99B
632900	HU-99C
632900A	HU-99E
632901	HU-100B
632901A	HU-100D
632935	HU-106A
*632941	HU-108A
*632941	HU-108B
*632941A	HU-108C
632942	HU-107B
632942A	HU-107C
632948	HU-109A
632952	HU-110A

*Refer to name stamped on carburetor for correct identification.

For Walbro use Service No. 632715.

For Tillotson use correct Service No. above. Individual parts are not interchangeable.

Tecumseh Carb - Kit# RK-18-HU
Tecumseh Carb

