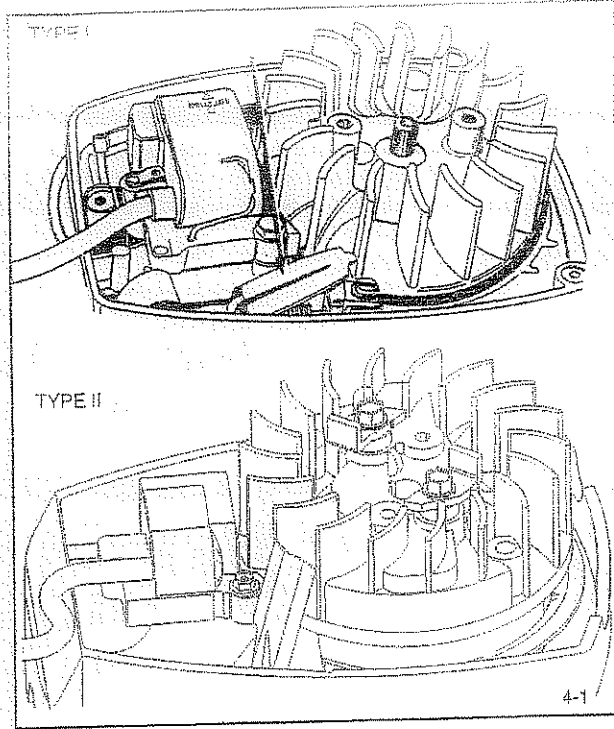
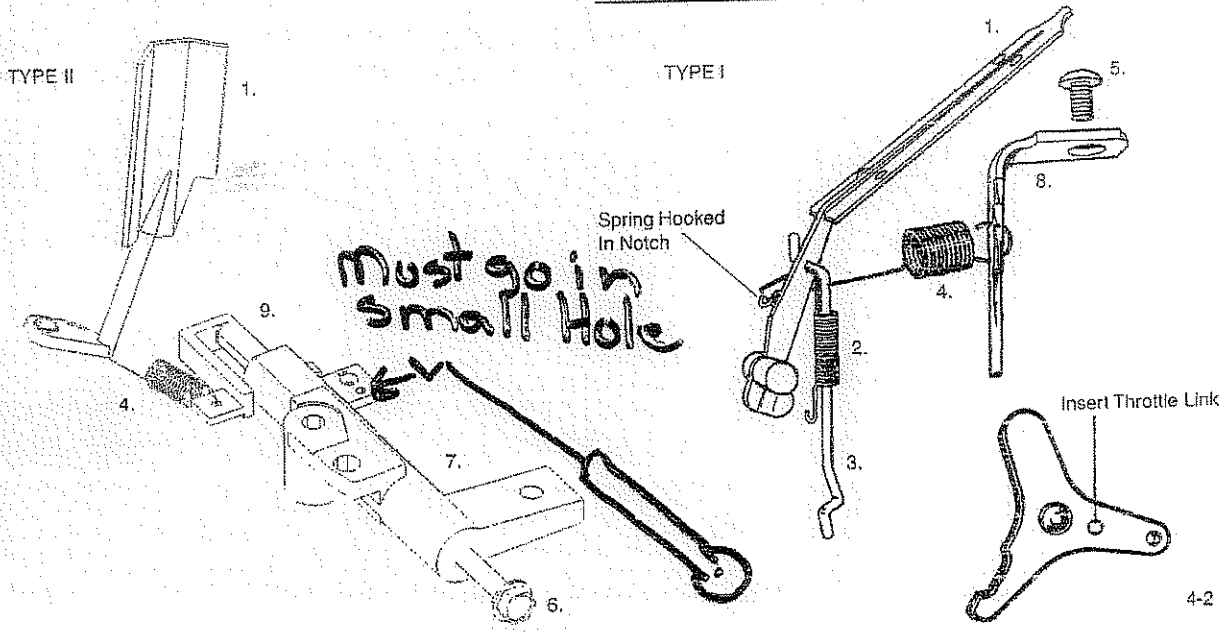


Tecumseh - SPEED Control



COMPONENTS

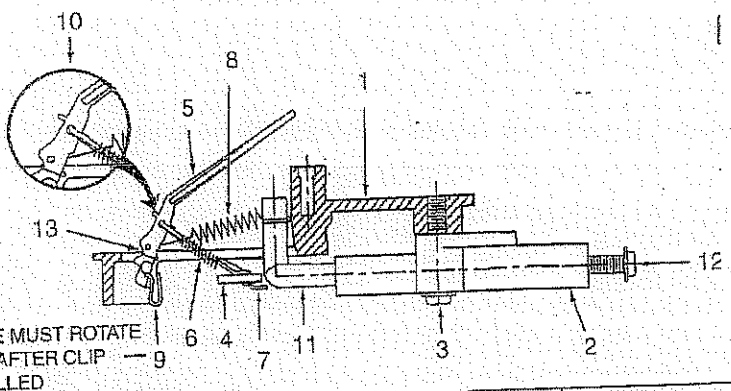
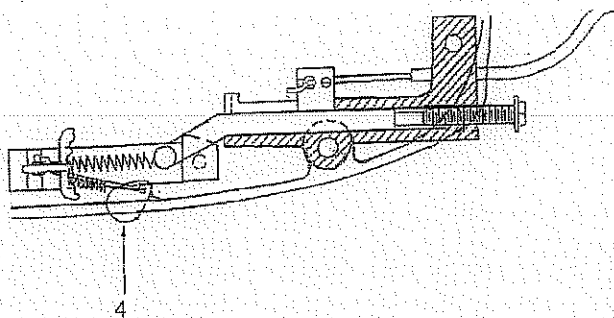
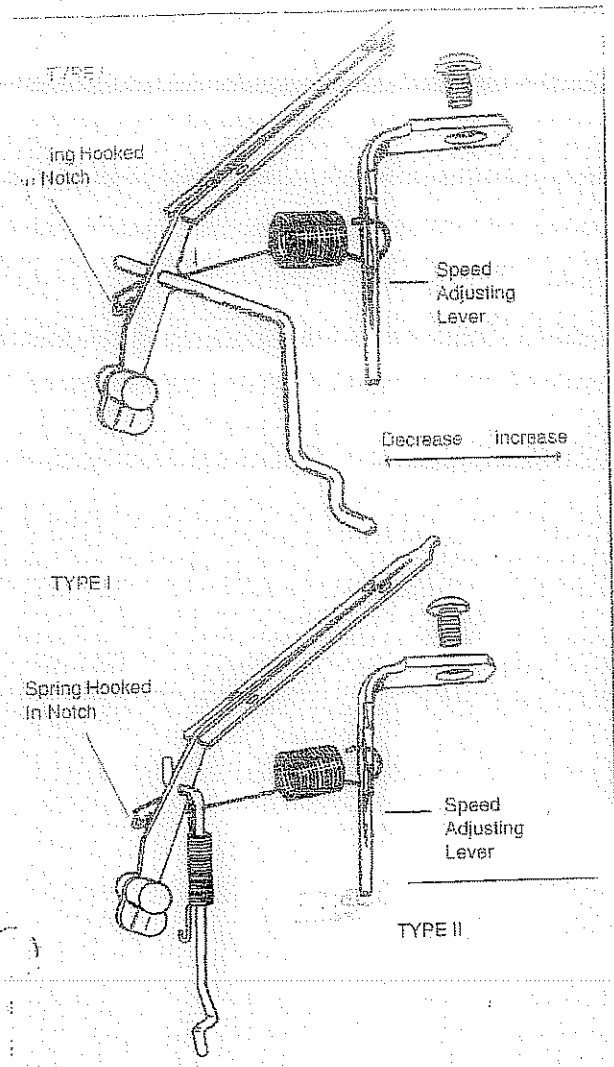
1. AIR VANE
2. BACKLASH SPRING
3. GOVERNOR LINK
4. GOVERNOR SPRING
5. MOUNTING SCREW
6. SPEED ADJUSTMENT SCREW
7. SPEED CONTROL BODY
8. SPEED CONTROL LEVER
9. SPEED CONTROL PLUNGER



4-1

4-2

Gov. Linkage
Attachments



AIR VANE MUST ROTATE
FREELY AFTER CLIP
IS INSTALLED

ITEM	DESCRIPTION
1	Base - Housing
2	Body Assy. - Speed Control
3	Screw
4	Throttle Plate
5	Air Vane
6	Spring - Backlash
7	Link - Governor

ITEM	DESCRIPTION
8	Spring - Governor
9	Clip - Spring
10	Spring and Link Attachment
11	Speed Control Plunger
12	Speed Adjustment Screw
13	Notch in Air Vane for Governor Spring Attachment